

For a sustainable future

ARITERM PELLET SYSTEM

ARITERM
ecogeneration

■ PELLET BURNER KMP PX22



■ KMP PX22 - Pellet burner 20 kW

The KMP Pellet burner is developed and manufactured by KMP in Sweden. It meets all applicable European norms for certification (EN15270).

Design and choice of materials have been made with long service life and low operation costs in mind. Stainless, high temperature-resistant steel in critical parts.

Effective combustion

Combustion is very effective with integral preheating of the combustion air resulting in clean flue gases and good economy.

Electric ignition element is standard. Controls with up-to-date electronics. The micro processor circuit board has all components and systems for an effective surveillance of the boiler.

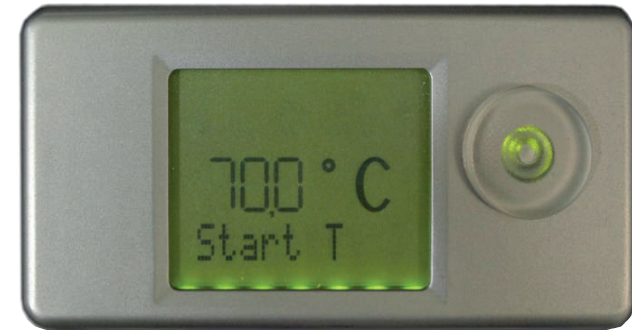
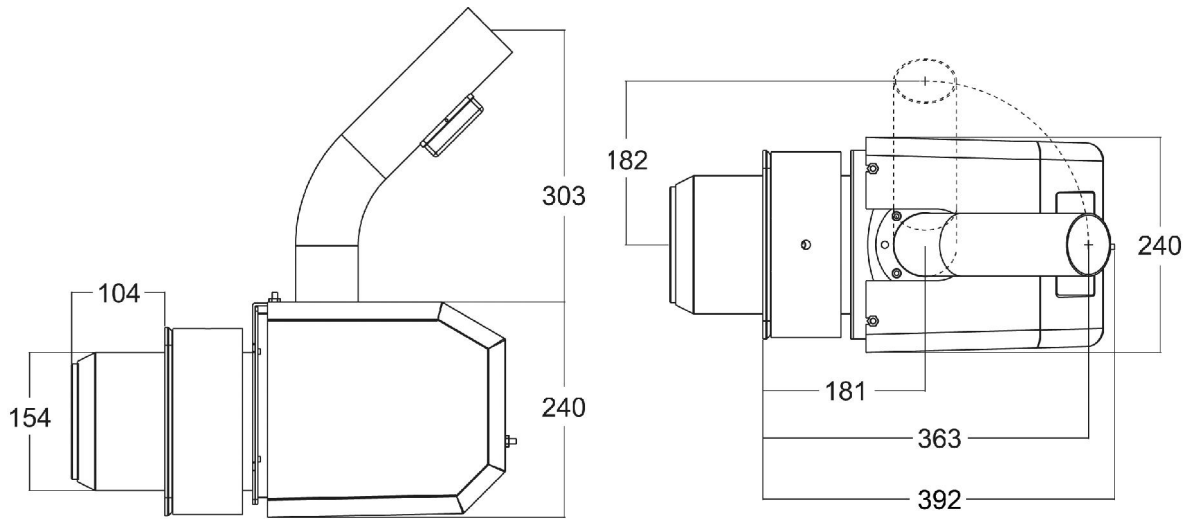
Safety

The burner is equipped with several independent safety features such as vertical feeder tube, thermal cut-out and flame sensor

Simple installation

Installation of the burner is simple and the horizontal flame tube design makes the burner easy to adapt for almost any type of boiler.





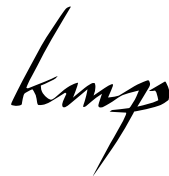
The stoker is equipped with a microprocessor controlled system that regulates the combustion.

The burner is lit using a hot air element when the boiler temperature falls below the temperature selected in the main menu. The starting procedure is made automatically in several steps in order to achieve a quick and virtually smokeless startup. In case the ignition fails the procedure is repeated once or, if needed, twice.

When the boiler temperature has increased 2-5°C the output is reduced to half power, to stop when the desired temperature is reached (80-85°C). After a short period of cooling down the stoker stops, to automatically restart when the temperature has decreased about 8-12°C.



Example of an installation in a wood boiler.



Standard components:

- Temperature sensor with cable
- Set of connection cables
- Mounting flange
- Ash rake

Accessories:

- Pellet feeder Feedo

		PX22
Heat power "High"	kW	20
Heat power "Low"	kW	approx. 10
Power consumption, average	W	< 40
Combustion efficiency	%	> 90
Mains connection		230 VAC
Weight	kgs	12